



BRIKMAKERS
INSPIRING INNOVATION

Duraclay Lintel

CLAYBRICK (Reinforced Fired Clay)

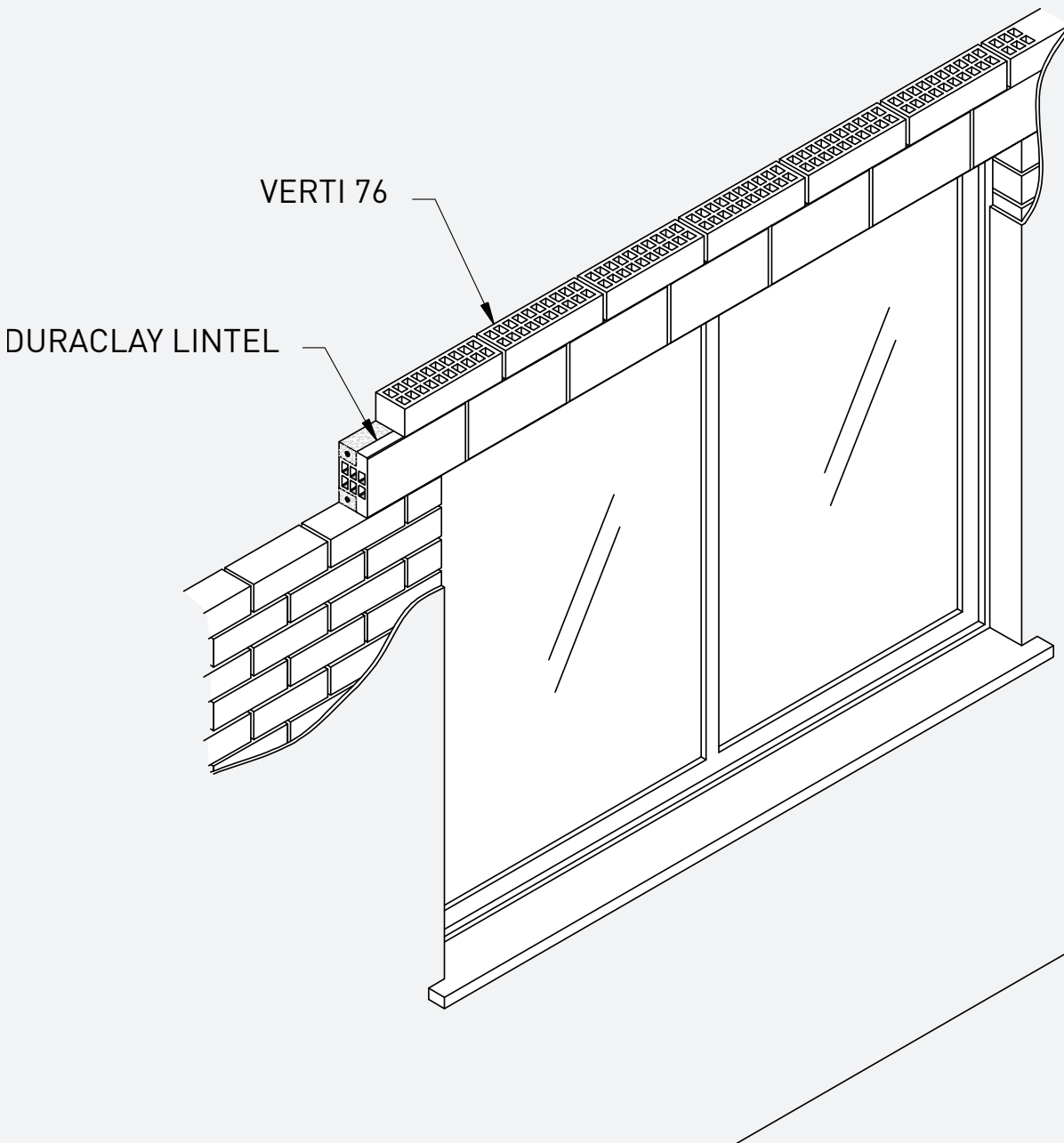
DURACLAY LINTEL – THE STRENGTH BEHIND SUPPORTING YOUR BUILDING LOADS.

Duraclay Lintel is specifically designed for use with Brikmakers' Claybrick range.

It can span opening sizes up to 2410mm with minimal deflection at specified design loads.

The use of Brikmakers reinforced composite lintel should reduce your construction and maintenance costs.

It will allow for improved key to plastering, giving a fantastic detail plaster finish to under window head.



1300 360 344



www.brikmakers.com



info@brikmakers.com

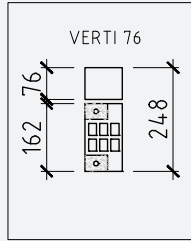
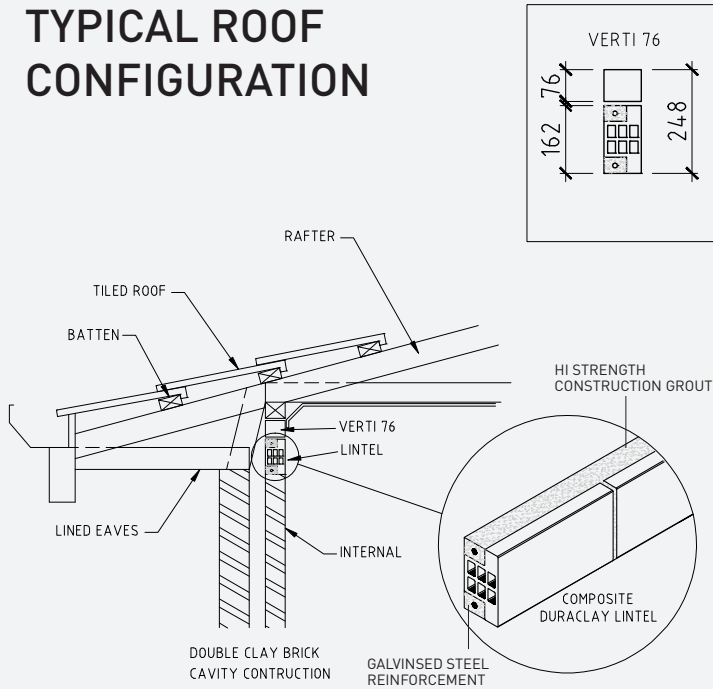


BRIKMAKERS
INSPIRING INNOVATION

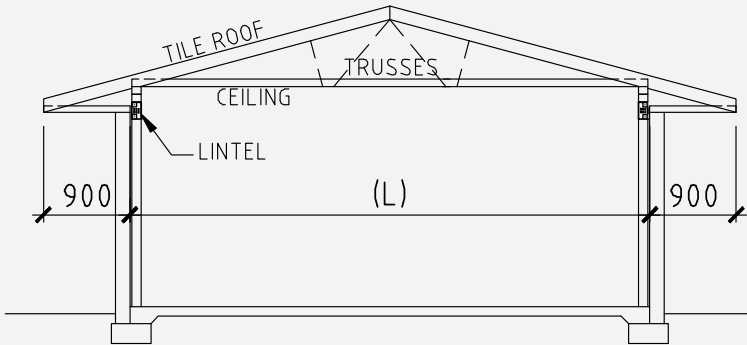
Duraclay Lintel

CLAYBRICK (Reinforced Fired Clay)

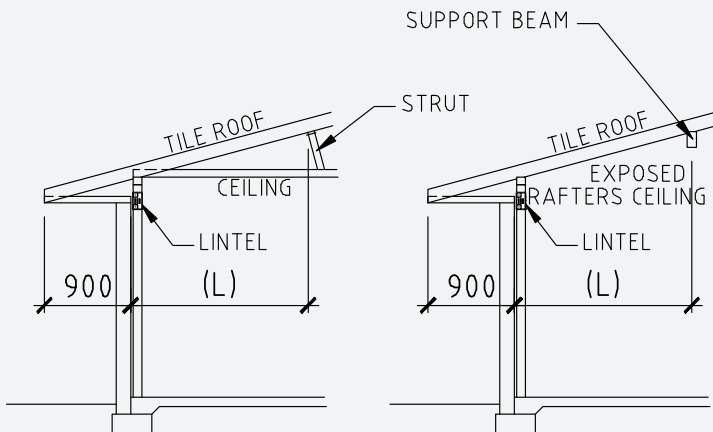
TYPICAL ROOF CONFIGURATION



STANDARD CEILING & PITCHED ROOF



TRUSSED ROOF



RAKING CEILING & PITCHED ROOF

SPAN CHART

Size of opening (mm)	1,500	1,800	2,100	2,450
Maximum length of roof (mm)	19,500	11,200	9,400	6,400

STANDARD LINTEL LENGTH

Number Of Bricks	Lintel Length (mm)	Lintel Weight (kg) [approx]
3	940	27
4	1,250	35
5	1,570	45
6	1,890	53
7	2,200	62
8	2,500	72
9	2,830	81
10	3,140	89

STANDARD CONSTRUCTION & PLACEMENT DETAIL

- Allow for a bearing of at least 230mm
- Bed the lintel on a mortar joint
- Ensure the clay face of the lintel faces into the room as this will allow a better plastering key.
- Ensure the window doesn't take the weight of the lintel. Up to 5mm clearance above the window head is recommended.
- Ensure the window head ties are bedded into the bed joint above the lintel.

📞 1300 360 344

@ www.brikmakers.com

✉ info@brikmakers.com