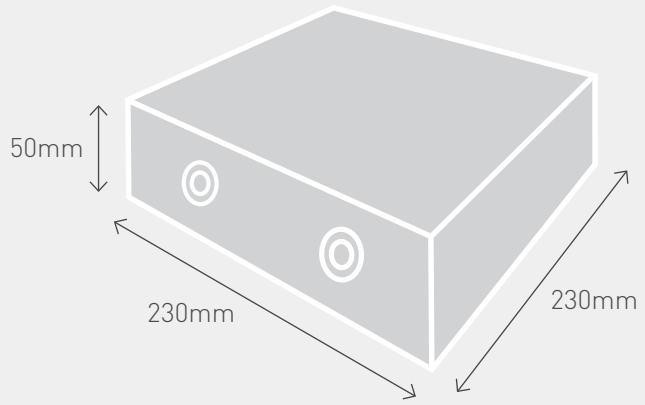


# Renopave

Our most affordable and stylish paver.



Designed for any renovation project with a strict budget, Brikmakers Renopave 50 is ideal for use in front or backyards in need of a refreshing, value-adding makeover.



Sandstone



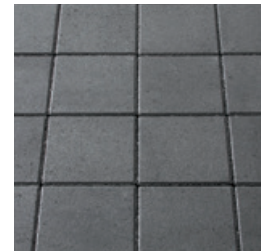
Mocha



Silver



Grey



Charcoal

## Product Information

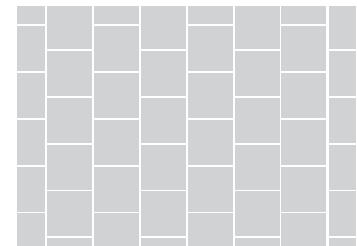
Renopave is recommended for pedestrian areas such as pathways and to enhance any outdoor alfresco or living areas.

Renopave is a modern paving product which can feature variations in size (approximately +/- 3 to 5 mm), colour and surface-finish (texture). Renopave has the unique benefit of having two usable face surfaces. The finish and variations are the key elements of this contemporary product's modern appeal and style.

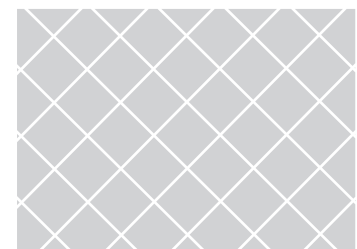
To obtain the best overall results when installing, we recommend that the Renopave products are blended from several packs during the laying process and that all the paving required to complete the project is purchased at the same time.

Renopave pavers should all be laid in the same direction and there are markings on the side of the paver to assist the correct laying format.

Renopave is best laid using either a 'stretcher bond' or 'stack bond' pattern only.



Stretcher Bond



45° Stack Bond

Renopave should only be used for domestic driveway applications if used on a suitable sub-base. Due to the product's rustic characteristics, it does not achieve the same level of interlock as Vistapave or Easipave.

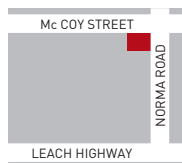
☎ 1300 360 344

@ [www.brikmakers.com](http://www.brikmakers.com)

✉ [info@brikmakers.com](mailto:info@brikmakers.com)



Head Office  
Pickup & Showroom  
Lot 1, 260 Kalamunda Rd,  
South Guildford.



Showroom Only  
1/98 Norma Rd,  
Cnr McCoy St,  
Myaree.



Showroom Only  
Home Base,  
55 Salvado Rd,  
Subiaco.

